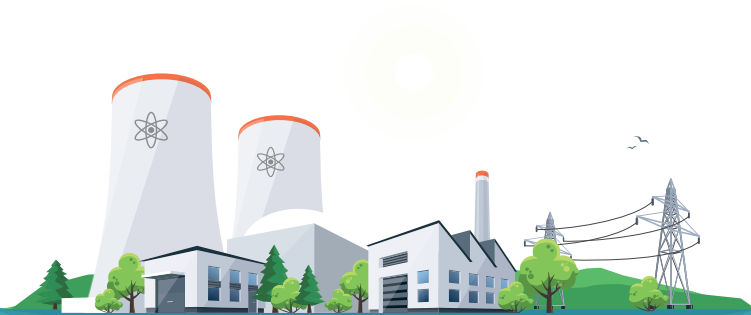
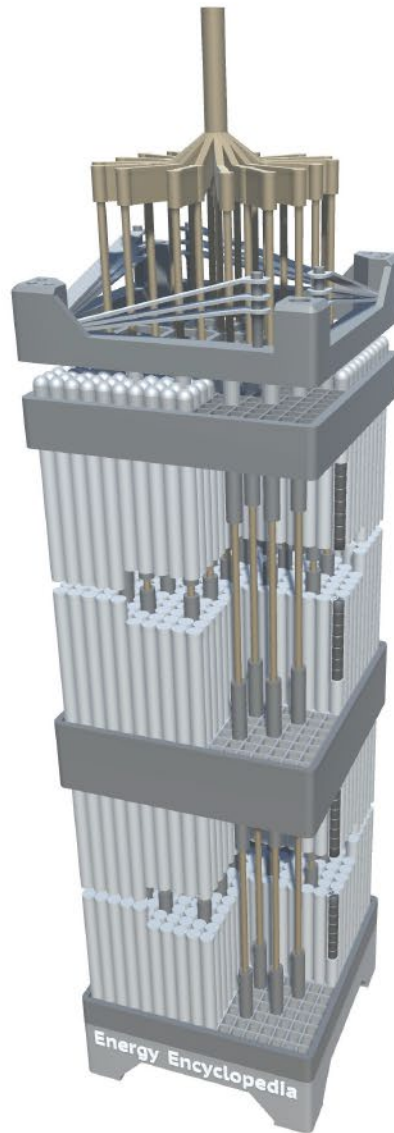


FUEL ASSEMBLY

1:1



ASSEMBLY INSTRUCTIONS



ENERGYENCYCLOPEDIA.COM

INFO

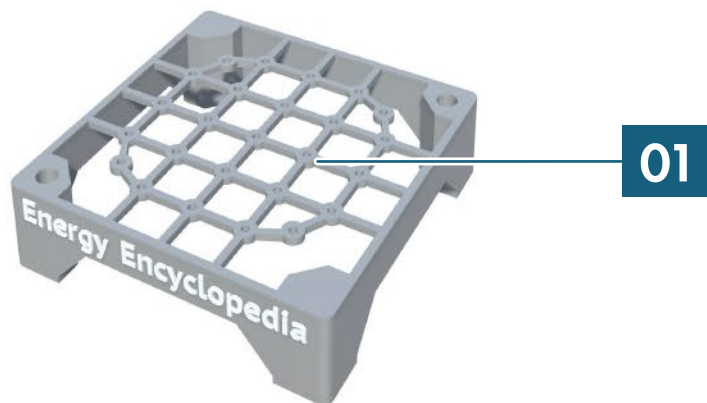
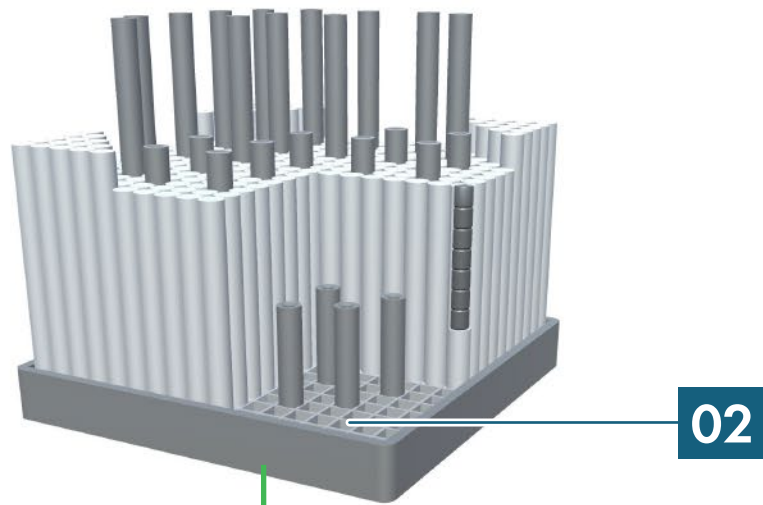
THE MODEL CAN BE PUT TOGETHER WITHOUT GLUEING.

IF GLUE IS NEEDED, IT WILL BE MARKED WITH A GLUE ICON AND/OR A GREEN ARROW.



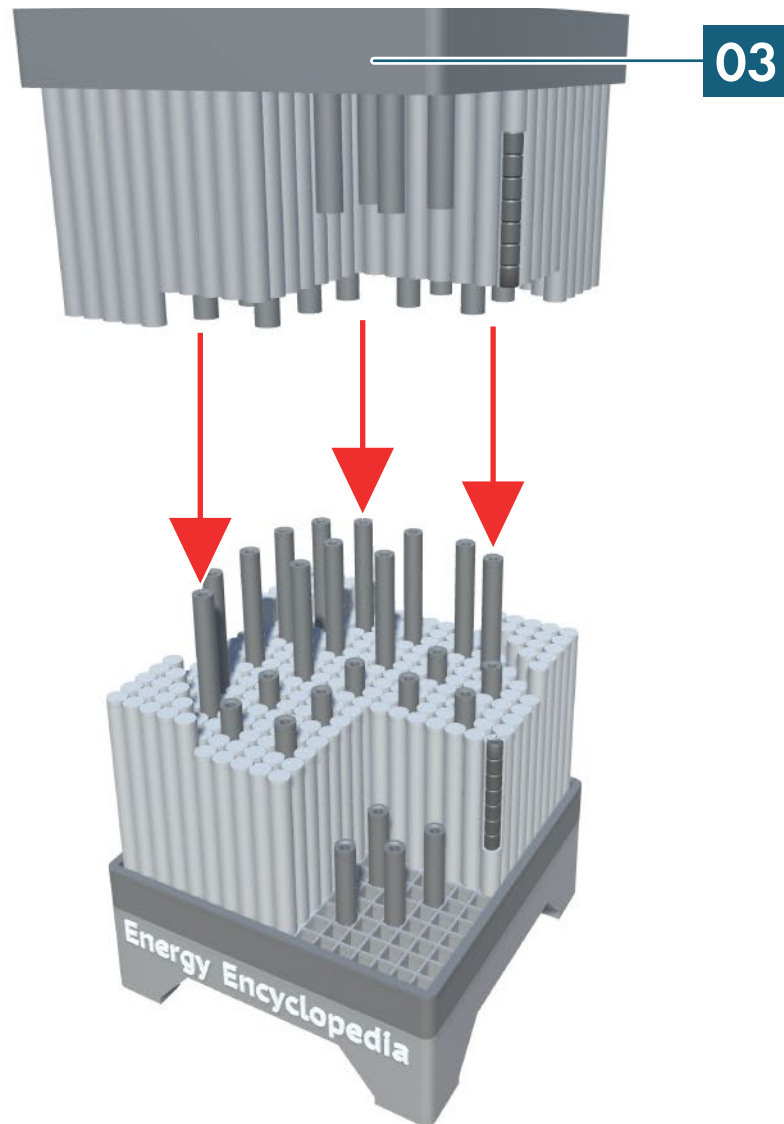


ENERGYENCYCLOPEDIA.COM





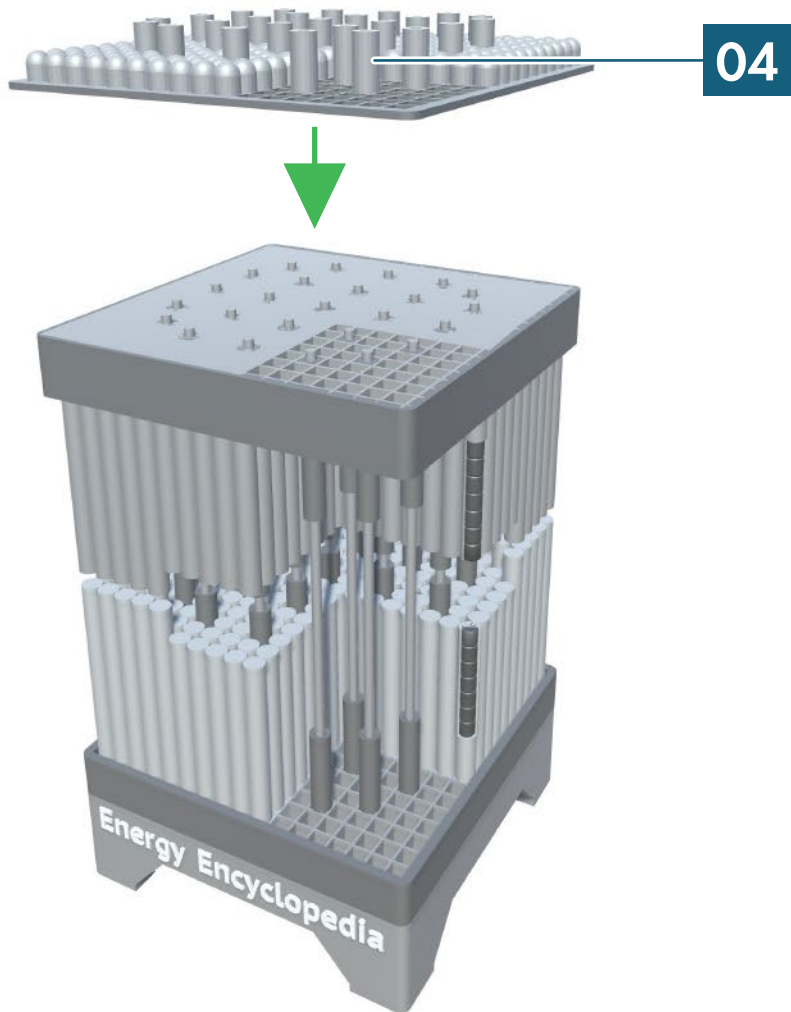
ENERGYENCYCLOPEDIA.COM

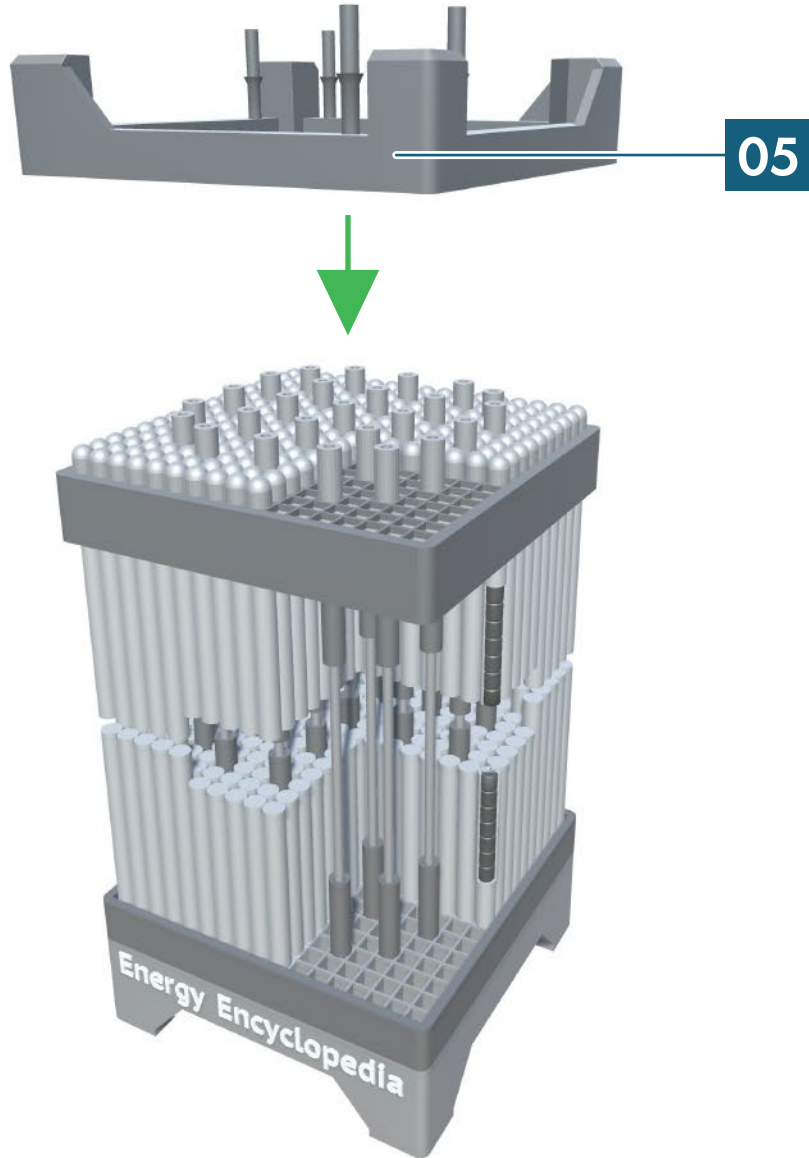


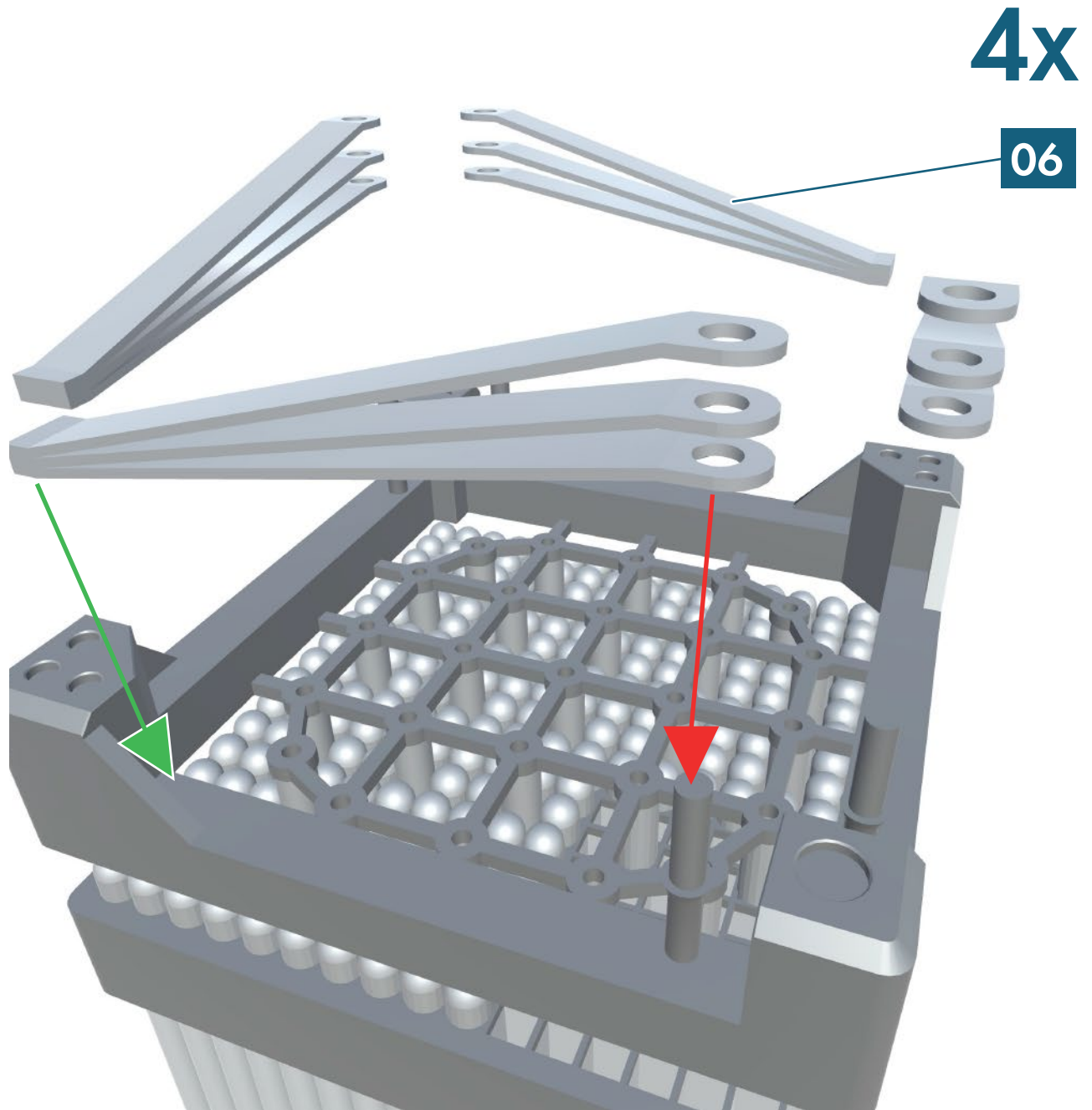
**YOU CAN STACK PARTS 02 AND 03
ON TOP OF EACH OTHER TO MAKE THE FUEL ASSEMBLY MODEL TALLER
(AS IT IS IN THE REAL LIFE).**

CHECK THE 3D MODEL AT

[HTTPS://3D.ENERGYENCYCLOPEDIA.COM/NPP-PWR/FUEL-ASSEMBLY](https://3d.energyencyclopedia.com/npp-pwr/fuel-assembly)

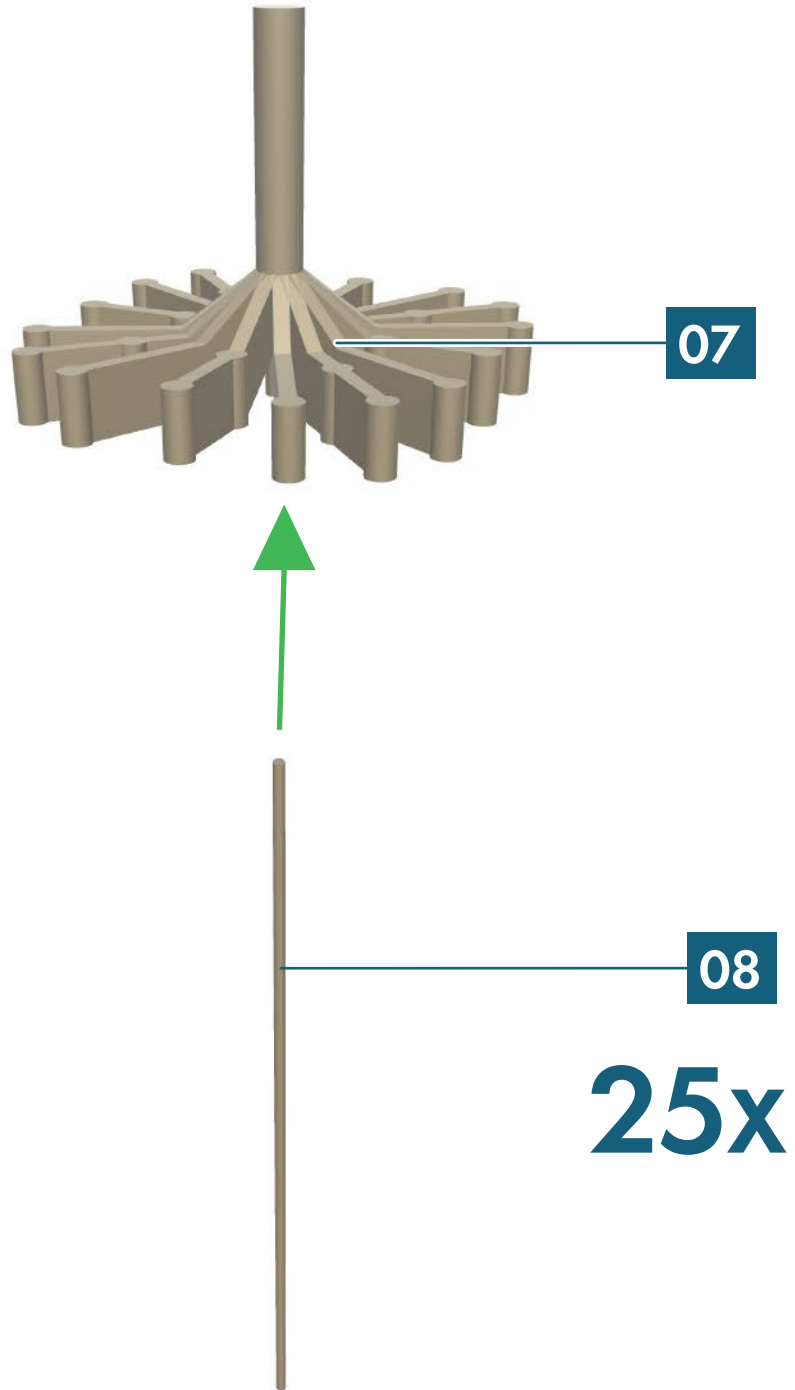








ENERGYENCYCLOPEDIA.COM





ENERGYENCYCLOPEDIA.COM

